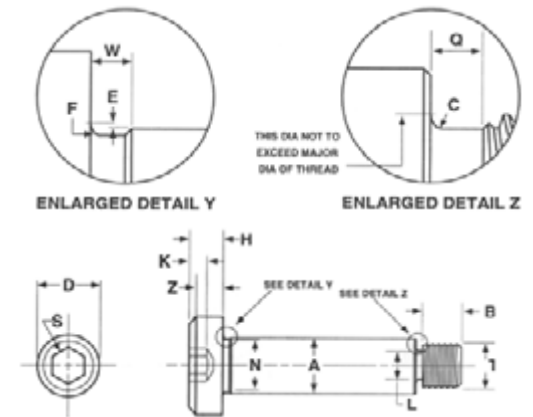


SOCKETS

SOCKET SHOULDER SCREWS

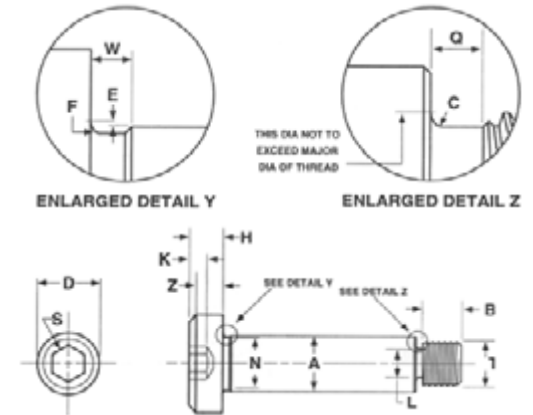


Nominal Size	A		D		H		Z	S	K	E	F
	Shoulder Diameter		Head Diameter		Head Height		Head Side Height	Hexagon Socket Size	Key Engagement	Head Fillet Extension Above D	Head Fillet Radius
	Max	Min	Max	Min	Max	Min	Min	Nom	Min	Max	Min
1/4	0.2480	0.2460	0.375	0.357	0.188	0.177	0.157	1/8	0.094	0.014	0.009
5/16	0.3105	0.3085	0.438	0.419	0.219	0.209	0.183	5/32	0.117	0.017	0.012
3/8	0.3730	0.3710	0.562	0.543	0.250	0.240	0.209	3/16	0.141	0.020	0.015
1/2	0.4980	0.4960	0.750	0.729	0.312	0.302	0.262	1/4	0.188	0.026	0.020
5/8	0.6230	0.6210	0.875	0.853	0.375	0.365	0.315	5/16	0.234	0.032	0.024
3/4	0.7480	0.7460	1.000	0.977	0.500	0.490	0.421	3/8	0.281	0.039	0.030



SOCKETS

SOCKET SHOULDER SCREWS



Nominal Size	N	W	T		L		Q	C		B
	Shoulder Neck Diameter	Shoulder Neck Width	Nominal Thread Size	Threads Per In.	Thread Neck Diameter		Thread Neck	Thread Neck Fillet		Thread Length
					Max	Min		Max	Min	
1/4	0.227	0.093	10	24	0.142	0.133	0.083	0.023	0.017	0.375
5/16	0.289	0.093	1/4	20	0.193	0.182	0.100	0.028	0.022	0.438
3/8	0.352	0.093	5/16	18	0.249	0.237	0.111	0.031	0.025	0.500
1/2	0.477	0.093	3/8	16	0.304	0.291	0.125	0.035	0.029	0.625
5/8	0.602	0.093	1/2	13	0.414	0.397	0.154	0.042	0.036	0.750
3/4	0.727	0.093	5/8	11	0.521	0.502	0.182	0.051	0.045	0.875